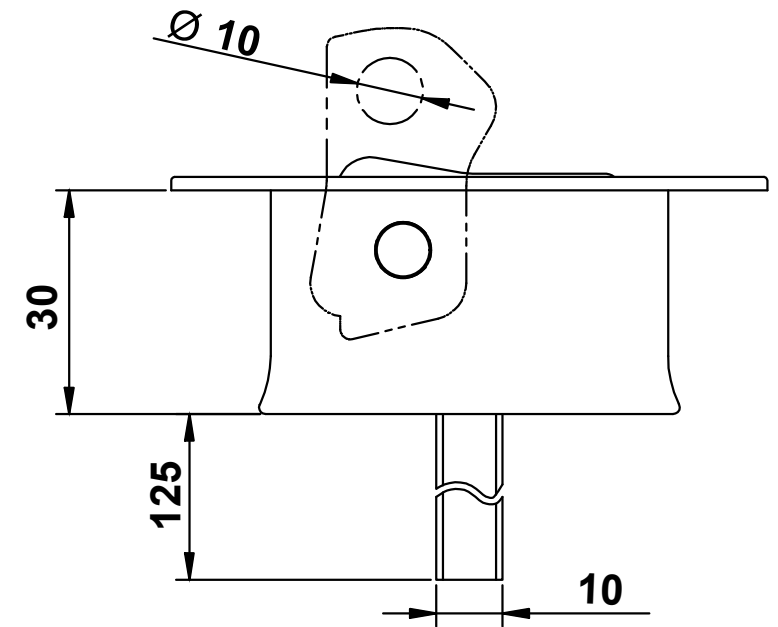
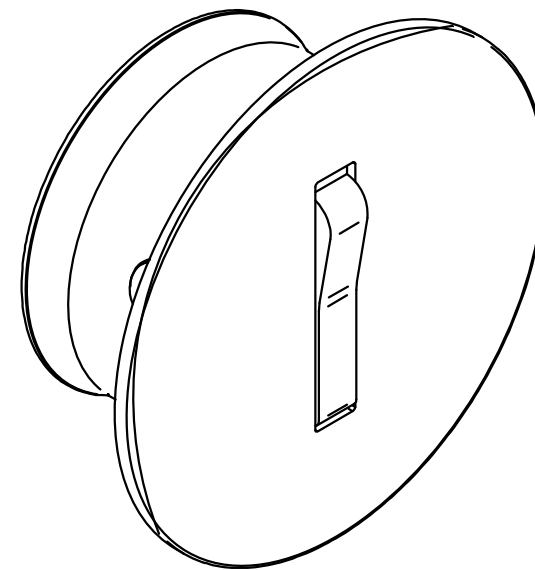
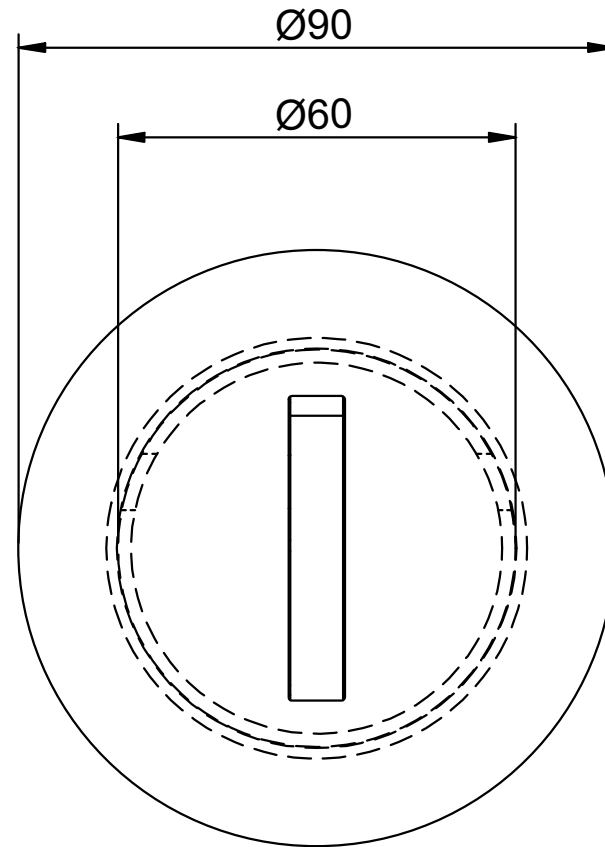


**316L S.S. LANE LINE AND WALL ANCHOR**

**USES:**

- TOP OF WALL ANCHORS FOR LANE LINES IN DECK LEVEL POOLS
- WALL ANCHORS FOR BUOY FLOAT LINES
- WALL ANCHORS FOR LANE LINES
- FLOOR ANCHORS WHEN A FLUSH ANCHOR IS REQUIRED FOR POOL TOYS

QTY: \_\_\_\_\_ PCS



REVISIONS:

PRODECT: <b>LANE LINE AND WALL ANCHOR</b>
MODEL: <b>F-100</b>

SCALE: N.T.S.
DATE: 2023-02-04
DRAWN BY: VK
PROJECT NO.:
DRAWING NO.:

